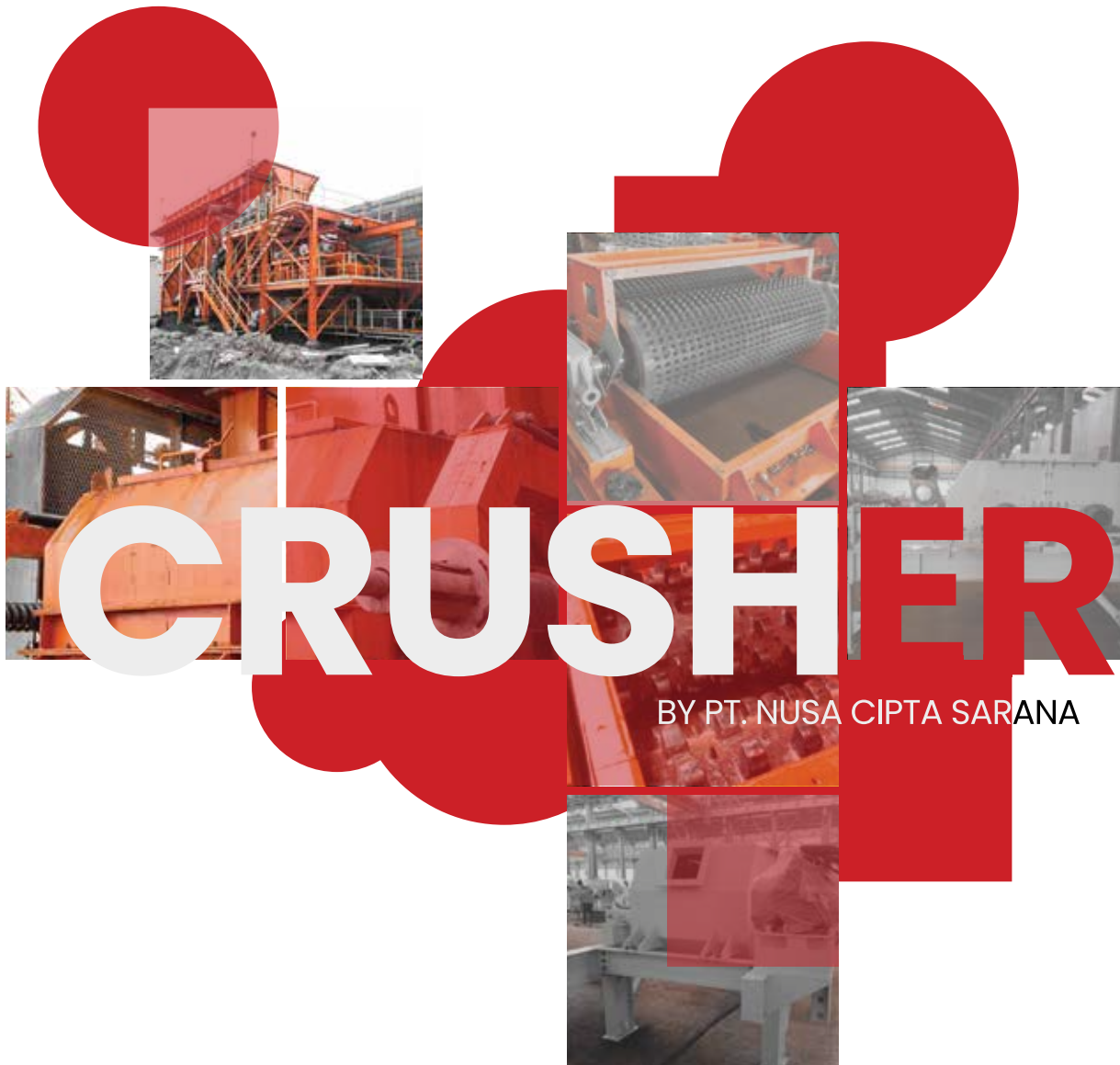




PT. NUSA CIPTA SARANA



BY PT. NUSA CIPTA SARANA

Address:

Komplek Pergudangan Permata Gedangan (RitzGate),
Jl. Muncul Blok AC 18-19 Gedangan,
SIDOARJO 61254 EAST JAVA - INDONESIA

Contact details:

Tel : +62-31-8555223 ; +62-31-8555224
Fax : +62-31-8555225
e-mail : nusacipta@indo.net.id



2021

www.nusacipta.com

Roll Crusher



Roll Crushers Are Designed To Crush Brittle Materials Such As Coal, Salt, Clay, Bauxite, Limestone And Other Minerals That Have Similar Characteristics, So It Widely Used In The Mining Industry, Power Generation And Others.

Roll Crushers Have Many Advantages : High Capacity, Low Headroom, Low Horsepower, Ability To Handle Wet And Sticky Materials, Generate Minimum Fines And Less Maintenance Built-in Spring Take-up Allows The Passage Of Indestructible Materials. While The Operation Still Continuing And Returning To The Original Product Size Setting. The Crusher Is Also Flexible, Allowing Adjustments Of Rotary Speed And Roll Gap As Needed.

Ncs Have Wide Range Crusher Capacity From As Low As 1tph Up To 2000tph With Input Size From 800mm And Output Smaller Than 10mm. For Primary Crusher, We Have Single Roll And Double Roll Type And For Secondary Crusher We Have Double Roll Type. The Drive Unit Is Equipped With A Shaft Mounted Gearbox Type Whereas Footmounted Type Is Fitted At A Higher Production Capacity. To Some Extent We Also Have Small Tooth Crushers, Fine Crushers And Cage Mills To Produce Smaller Outputs, Up To 200 Mesh. We Can Also Supply A Wide Variety Of Roll Tooth Profiles, As Well As Teeth Coated With A Friction Resistant Material To Increase Wear Life.



Double Roll Crusher



**DOUBLE ROLL
CRUSHER**
150 TPH



**MOBILE
CRUSHER**
200 TPH

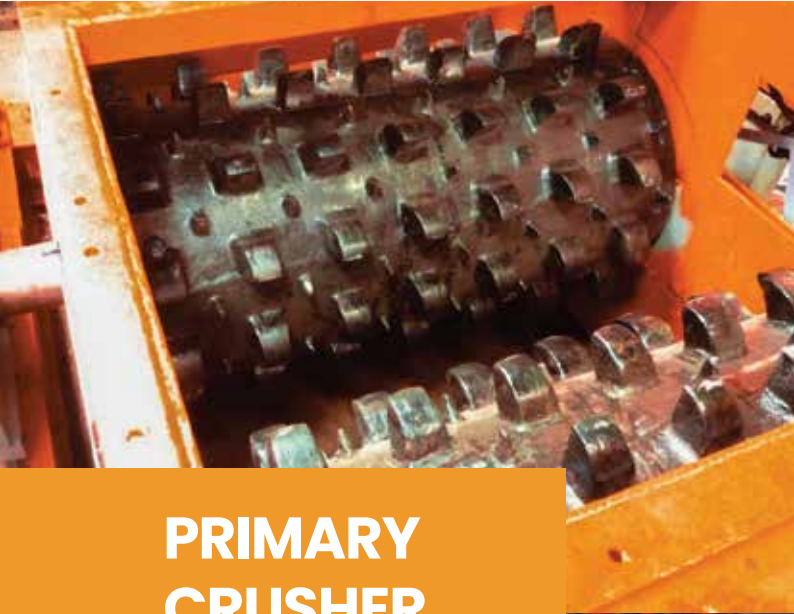


**DOUBLE ROLL
CRUSHER**
500 TPH

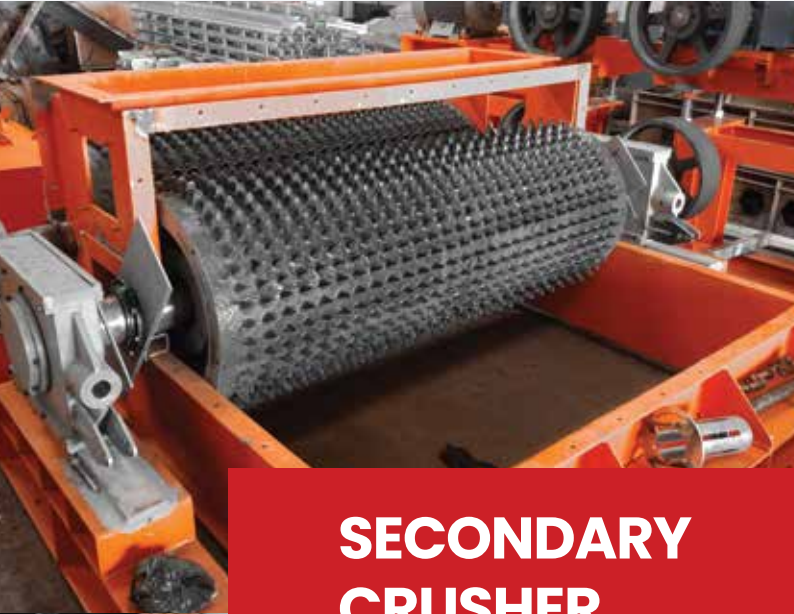
Feeder Breaker



Double Roll Crusher



**PRIMARY
CRUSHER**
1500 TPH



**SECONDARY
CRUSHER**
1500 TPH

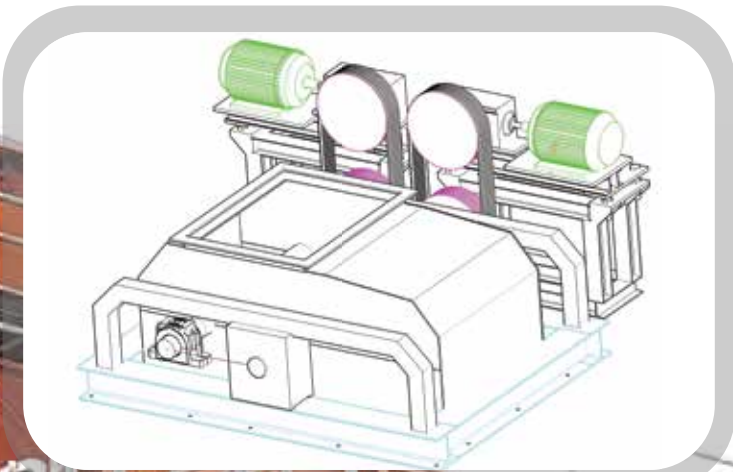


Primary Crusher Plan On PT. Borneo Indobara Site.

West Bunati Coal Port, South Kalimantan.

CRUSHER DATA

TYPE	Double roll crusher c/w safety spring
CAPACITY	1500 TPH
DRIVE UNIT	Electric motor 2 x 55 kW
SPEED	160 rpm
INPUT SIZE	600 - 750 mm
OUTPUT SIZE	0 - 250 mm

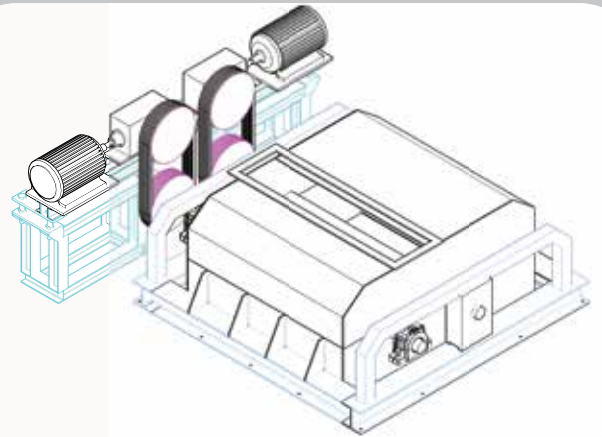


Secondary Crusher Plan On PT. Borneo Indobara Site.

West Bunati Coal Port,
South Kalimantan.

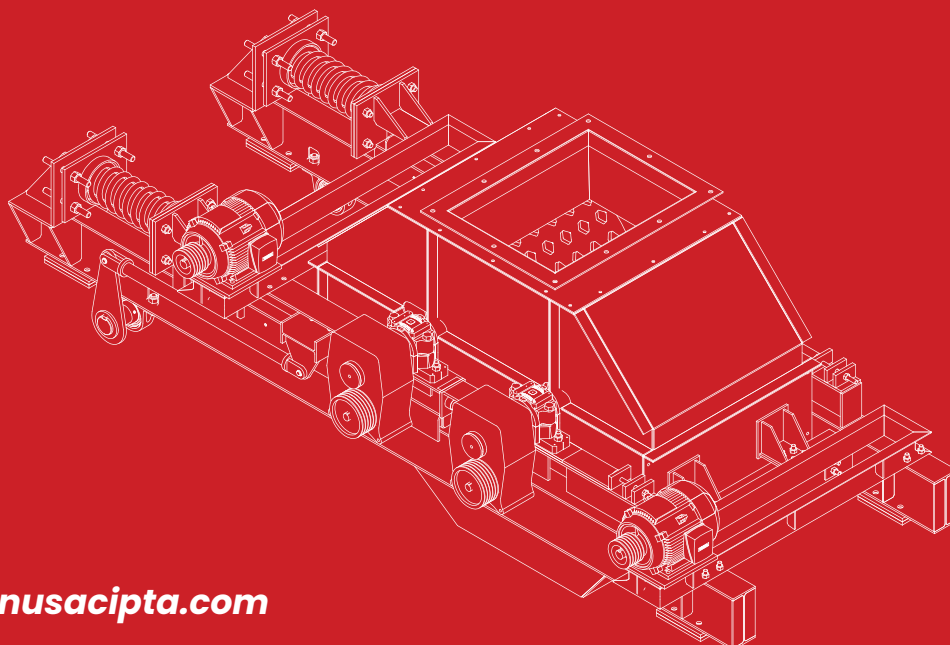
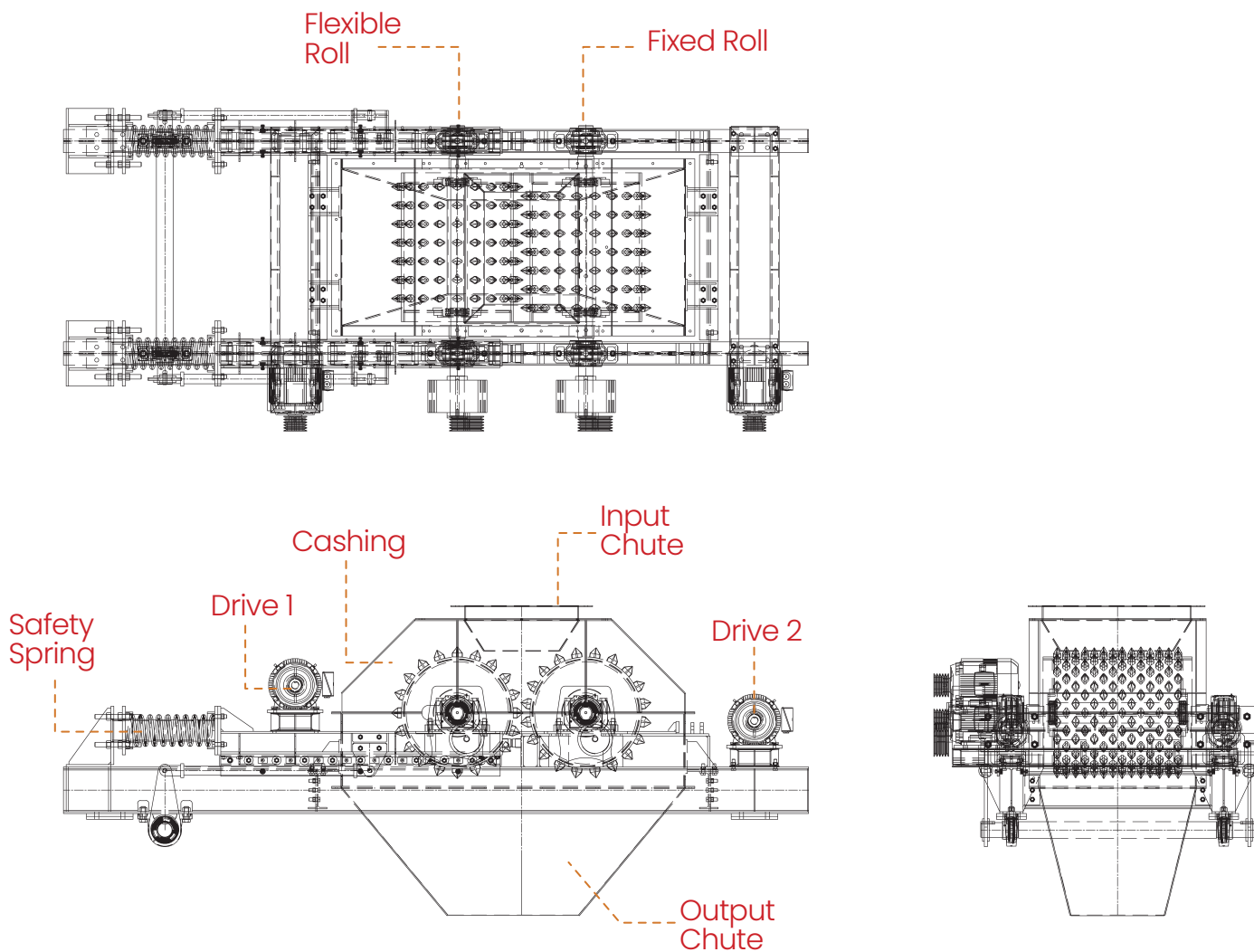
CRUSHER DATA

TYPE	Double roll crusher c/w safety spring
CAPACITY	1500 TPH
DRIVE UNIT	Electric motor 2 x 75 kW
SPEED	160 rpm
INPUT SIZE	Up to 250 mm
OUTPUT SIZE	0 – 70 mm



Part List

Double Roll Crusher 200 TPH



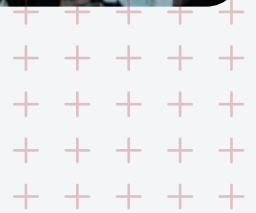


Crusher Erection



+ + + + +
+ + + + +
+ + + + +
+ + + + +
+ + + + +

+ + + + +
+ + + + +
+ + + + +



Benefits

National Pride, with Local Content Up To 90%

Fast Response after Sales Service

Moderate Price with High Quality Standards

Direct Mechanical Drive

Drive Systems from Global Oems

Customization Settings To Change Product Size Requirements

Various Roll Designs And Teeth Configurations are Available Based On Customer Application Needs

Closed Casing and Low Roll Speed Ensure Safety and Minimum Dust

Hardened Tooth Surface Is Wear Resistant So It Has a Long Service Life

